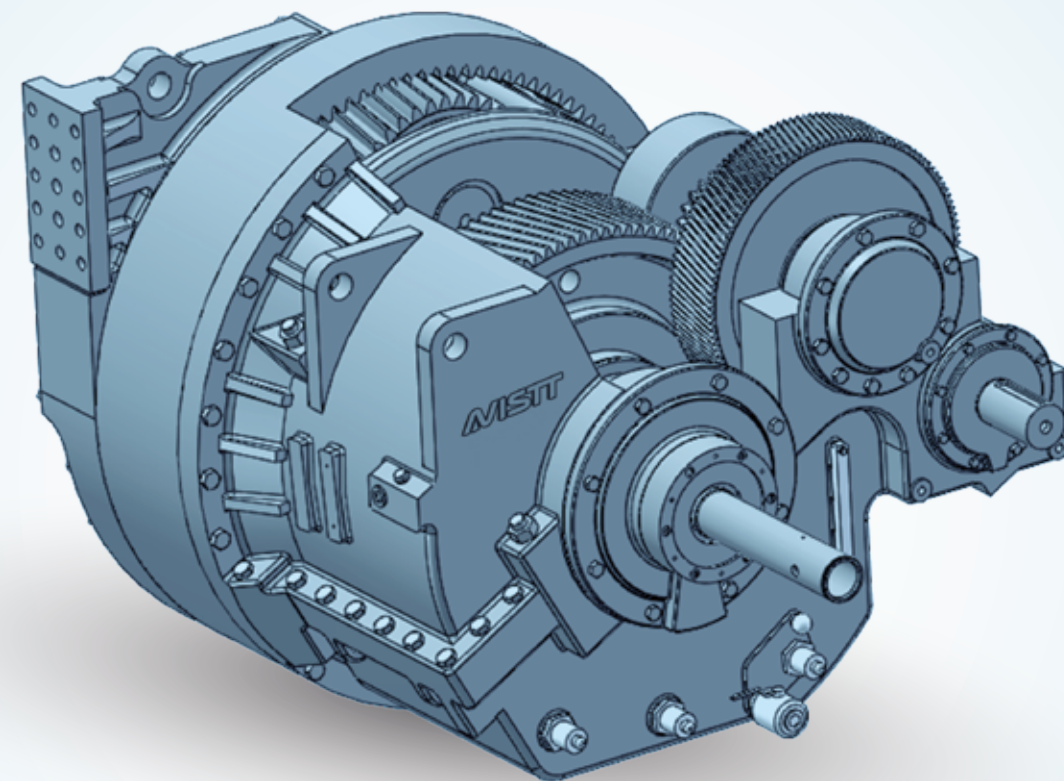




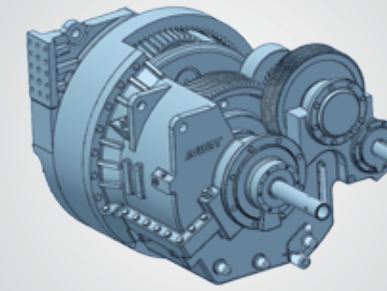
AFDS2200VEH/AFDS2200VEI Gearbox
 For Vestas 1.8–2.0MW/Gamesa 2.0MW
 Wind Turbine Platform



Designed by AVISTT

Add: 9370 Pittsburgh Ave Rancho Cucamonga, CA 91730
 Tel.: +1 (949) -558-0380 +1 (949) -558-0386
 Fax: +1 (949) -558-0379
 Web: www.avistt.com

Technical Parameters



Power	2,200 kW
Gear Ratio	110.361/120.36
Input Speed	16.9 rpm / 15.6 rpm
Weight	17,300 kg

Services

Endoscope inspection, Vibration detection and analysis, Replacement services, etc.

Spare Parts



Oil seal



Oil level indicator



Offline filter

UP-Tower Maintenance

Replacement of high-speed shaft

Replaceable Model

Wind-turbine platform	Gearbox Model	
Vestas V80 and V90	Winergy PEAB 4435	Moventas PLH 1400.2
Gamesa G80 and G90	Hansen EH804A	Bosch Rexroth GPV 442

Advantages

- 01 Optimized gear /bearing design with better quality
- 02 Endoscope inspection to all gears and parallel stage bearings
- 03 Easy access service in nacelle

